

# Mecklenburg County Common Code Defects

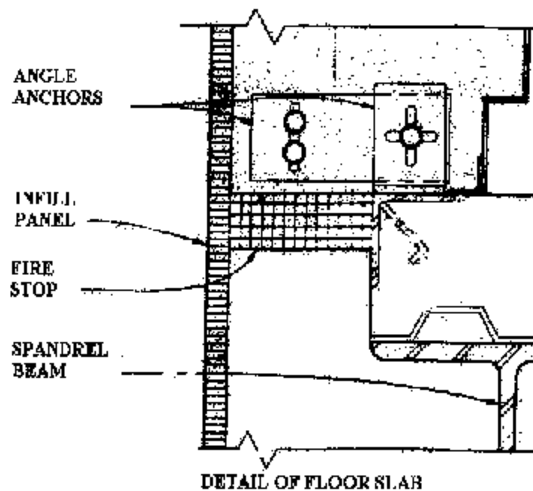
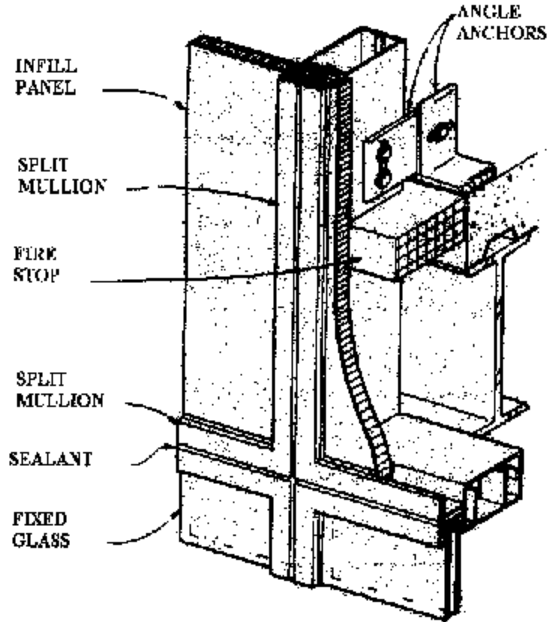
Fire resistance joints systems shall be tested in accordance with Section 712.3. The void created at the intersection of a floor/ ceiling assembly and an exterior curtain wall assembly shall be protected in accordance with Section 712.4. (see U.L., 2079 test)

## EXTERIOR CURTAIN WALL/ FLOOR OR FLOOR CEILING

Where fire resistance rated floor or floor/ ceiling assemblies are required, voids created at the intersection of the exterior curtain wall assemblies and such floor assemblies shall be sealed with an approved material. Such material shall be securely installed and capable of preventing the passage of flame and hot gases sufficient to ignite cotton waste where subject to ASTM E 119 time temperature fire conditions under a minimum positive pressure differential of 0.01 inch of water column for the time period at least equal to the fire resistance rating of the floor assembly.

## INSTALLATION

Installation of fire resistant joint systems shall be securely installed in or on the joint for its entire length so as not to dislodge, loosen or otherwise impair its ability to accommodate expected building movements and to resist the passage of fire and hot gases.



*Disclaimer: There may be other ways to comply with the Code. If so, you are not required to use this method to comply with the Code. You may want to investigate other options, or consult with a design professional identifying an equally code compliant solution.*

End Notes  
North Carolina State Building Code  
Commercial Code 2002 Edition  
Publication Date: September 2001  
Copyright 2001 by International Code Council  
Published in cooperation with:

Southern Building Code Congress International, Inc. (SBCCI)